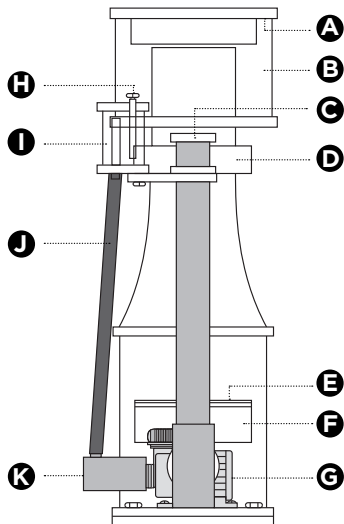


QUICK START GUIDE

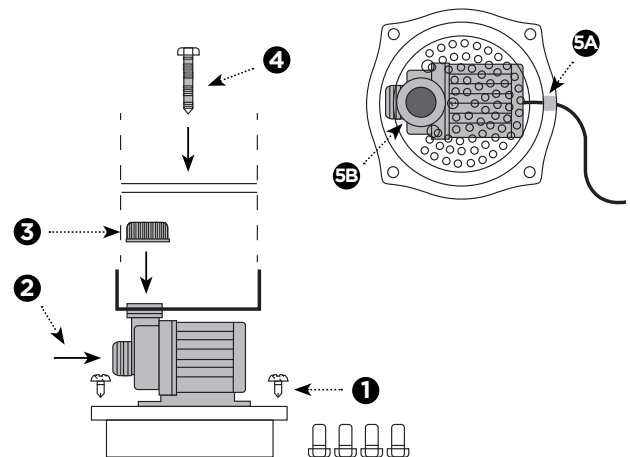


PROBLEM? PLEASE DO NOT RETURN THE PRODUCT TO THE PLACE OF PURCHASE.

Please visit our website at www.simplicityaquatics.com/support for additional information and videos. **Need more help?** Please contact us directly at customer@simplicityaquatics.com or 424-757-6150 and we'll be happy to help you out.



- A. Collection cup lid
- B. Collection cup
- C. Water adjustment knob
- D. Bayonet neck (Collection cup joint)
- E. Bubble plate lid
- F. Bubble plate body
- G. Pump
- H. Air intake adjustment
- I. Air intake silencer
- J. Air tube
- K. Venturi

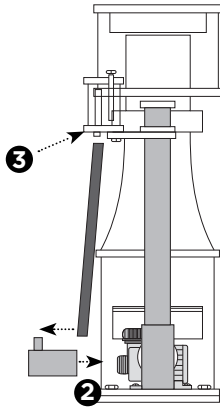


Pump and Body Assembly

1. Remove white thumb screws and detach skimmer body.
2. Slide the pump onto pump support already mounted to skimmer base.
3. Attach bubble plate to pump, secure with retaining nut as shown.
4. Secure the bubble plate lid using nylon screw.
- 5a. Route the pump power cable into the slot located in the skimmer base.
- 5b. Orient the bubble plate lid so the section without holes is above the pump output.
6. Reassemble skimmer body to base using thumb screws. Ensure the hole in the skimmer body is aligned with the pump intake.

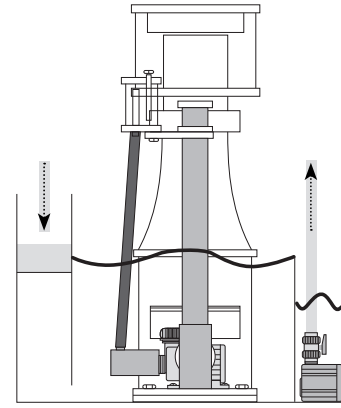
Simplicity[™] Skimmers

SIMPLE • EFFECTIVE • AFFORDABLE



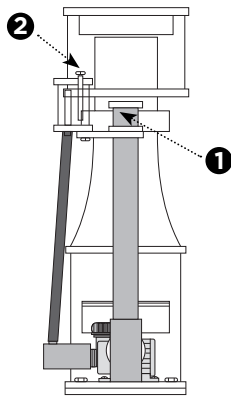
Air Intake Assembly

1. Assemble air intake silencer as shown.
2. Insert venturi into pump volute / intake.
3. Attach airline hose to venturi and air silencer.



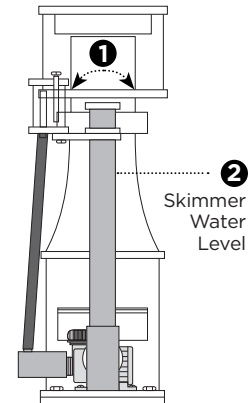
Installation

1. In-sump installation only.
2. Ensure proper water level in the sump:
 - 120DC / 240DC / 320DC skimmers: 7-9 inches
 - 540DC / 800DC skimmers: 8-10 inches
3. Use baffles in the sump and/or an automated water top-off to maintain a consistent water level.



Break-in Period (1st Week of Operation)

1. Align water adjustment knob arrow to arrow and thread in air adjustment screw just enough to hold it in place.
2. After 48 hours, slowly screw in the air adjustment screw until bubble column reaches its highest point.
3. Slowly close the water adjustment knob until the bubbles reach the bottom of the collection cup reservoir.



Normal Operation

1. Slowly close the air adjustment screw until the bubble column reaches its highest point.
2. Make small adjustments to the water adjustment knob to adjust bubble height within the skimmer body until it reaches the bottom of the collection cup reservoir. Please allow the skimmer to settle for 30 minutes between adjustments.
3. After 1-2 hours, the bubble column should naturally rise, so that the bubbles are surging up and over into the collection cup.

Need more help? For more information on skimmer setup and operation please visit www.simplicityaquatics.com/support/